

TITLE

**BIRD CAP (GUARD)**

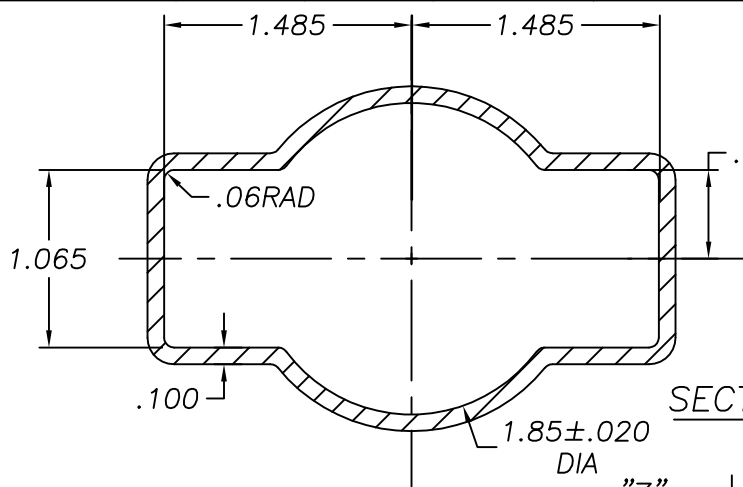
UNLESS OTHERWISE SPECIFIED, TOLERANCES ARE

SURFACES ✓	2 PL DEC ± 0.02	3 PL DEC ± 0.005	ANGLES ± .5 DEG
---------------	--------------------	---------------------	--------------------

FIRST MADE FOR

TRANSFORMER ACCESSORIES

REVISIONS



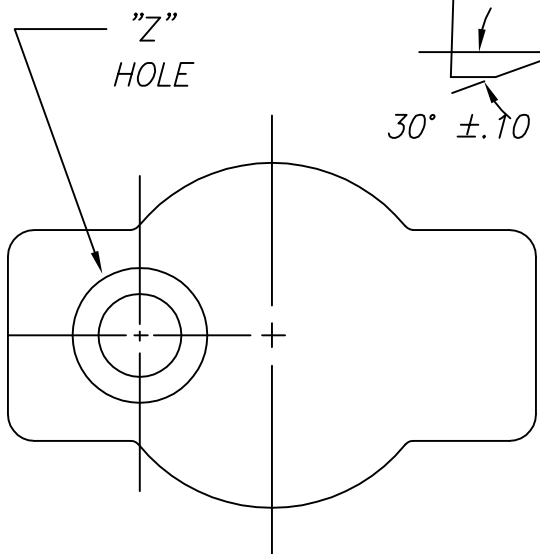
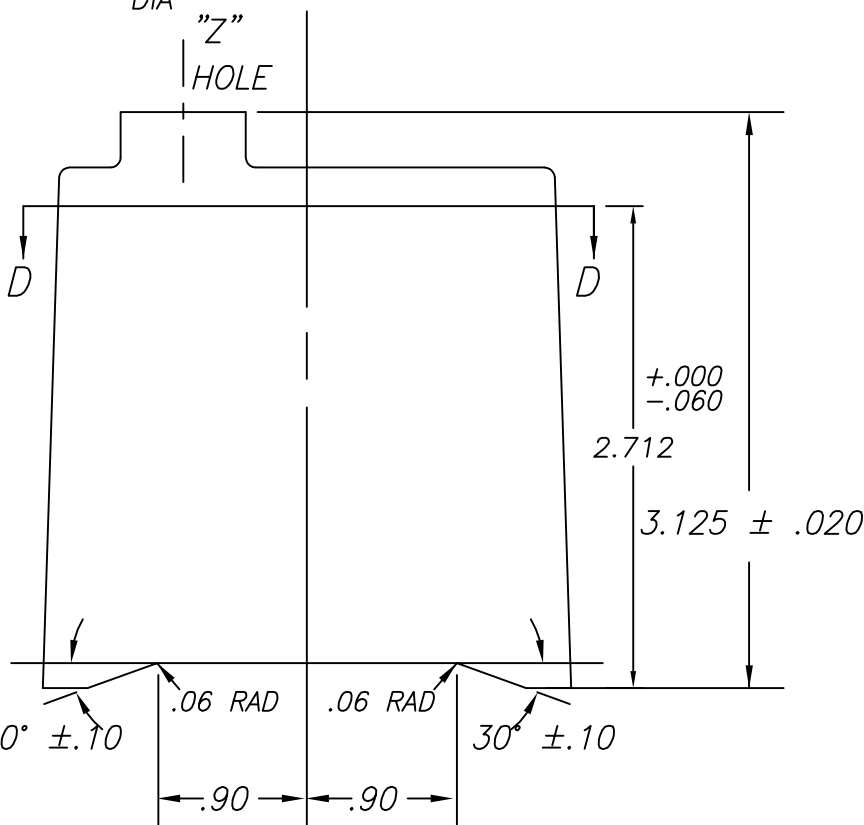
NOTES:  
.533 All Radi to be .062 unless indicated otherwise.

SECTION D-D

CAT. NO 7589ZU5499

PT NO	SLOT "A"	SLOT "B"	"W"DIA HOLE
21	NO	NO	--

"X"DIA HOLE	"Y"DIA HOLE	"Z"DIA HOLE
--	--	.75 + .02 / - .00



P21

MAT'L: CHEVRON 9012  
Hi-Density Polyethelene  
42473-Color Code

NO	DATE	DESCRIPTION	BY
1	19-July-95	B. Brittan	
2	14-April-97	K. Carrol	
3	08-MAR-99	STULPIN	
4	22-MAR-02	GILLAND	

UPDATED TEMPLATE  
CHANGE MAT'L WAS  
MARLEX 6006

Retraced to Acad  
Updated Dim per ECN #F164  
Old Dim on note lyr.  
Updated Routing

ERMCO-BTL

PRINTS TO

MADE BY: B. Brittan 19-July-95  
ISSUED BY: R. GILLAND 22-MAR-02

APPROVALS

HICKORY  
ERMCO

3101A 1921J060

CONT ON SH

SH