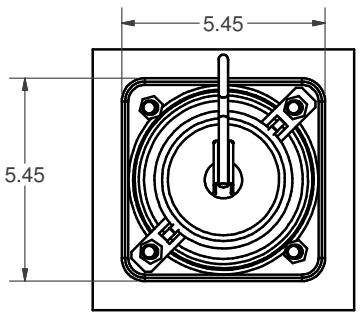
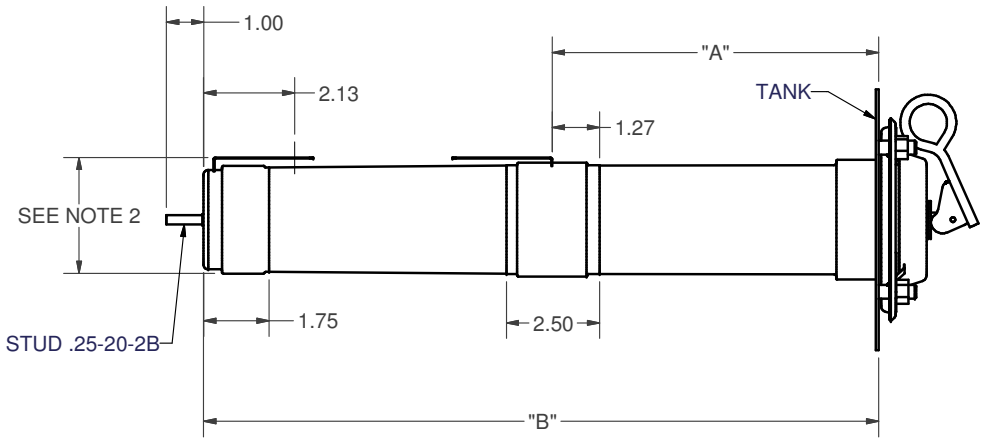


REV 1  
B  
C-8  
A  
8/04

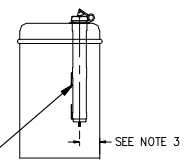
4 | 3 | 2 | 1

UNLESS OTHERWISE SPECIFIED			ERMCO COMPONENTS, INC.		DWG NO. 2571K240P00
SURFACES	TOLERANCES		THE INFORMATION CONTAINED ON THIS DOCUMENT IS PROPRIETARY TO ERMCO COMPONENTS, INC. AND MAY NOT BE USED FOR ANY OTHER PURPOSES THAN THOSE EXPRESSLY AUTHORIZED BY ECI.		SH NUMBER OF SHS.
✓	±	±	±		TITLE: Submersible Dry Well Fuseholder
					FIRST MADE FOR:



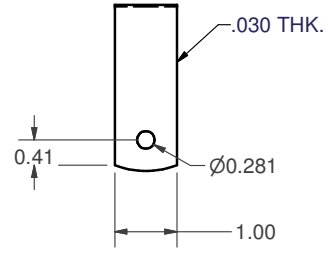
GENERAL FUSEHOLDER APPLICATION

2571K240 OUTLINE (DWFH)

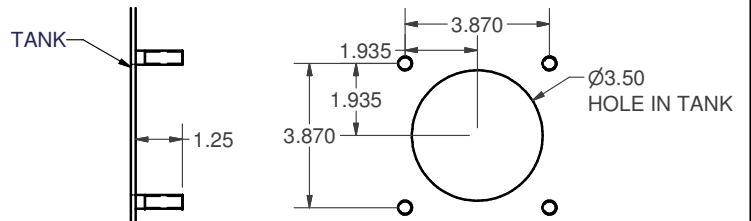


TERMINAL DETAIL BELOW

ENGINEERING DATA				
CATALOG NO.	7509ZE0399	7509ZE0299	7509ZE0199	WITHOUT STUD
ALL FLANGES STAINLESS STEEL	7509ZE3399	7509ZE3299	7509ZE3199	WITH STUD
"A"	8.81	8.81	8.81	
"B"	25.41	22.45	18.15	
MAX VOLTAGE RATING	21.1KV	15.2KV	8.3KV	
BIL	125 KV	125 KV	95KV	
HIPOT	50 KV	40 KV	34 KV	
CORONA EXTINCTION	26 KV	19 KV	11 KV	
CONTINUOUS CURRENT RATING (UNFUSED)	160 A	160 A	160 A	
MOMENTARY CURRENT RATING (UNFUSED)	10,000 A RMS SYM (10 CYCLES)	10,000 A RMS SYM (10 CYCLES)	10,000 A RMS SYM (10 CYCLES)	
MCGRAW NX (MUST BE ORDERED SEPERATELY)	23 KV - ALL SIZES THRU 25A	15 KV - ALL SIZES THRU 40A	THRU 100A 5.5 KV - ALL SIZES THRU 75A 8.3 KV - ALL SIZES THRU 40A	



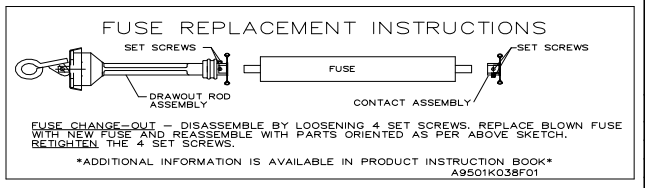
DETAIL OF TERMINAL



FUSEHOLDER MOUNTING DIMENSIONS

NOTES:

- FOR THOSE APPLICATIONS WHERE AN INTERLOCKED LOAD BREAK SWITCH IS NOT USED IN CONJUNCTION WITH THE NON-LOADBREAK FUSEHOLDER, A WARNING BAFFLE SHOULD BE USED AS A PRECAUTION AGAINST ENERGIZED OPERATION OF THE FUSEHOLDER.
- REQUIRES A 3.50 DIA HOLE.
- MAINTAIN A 4.5 RADIAL CLEARANCE FROM CENTERLINE OF FUSEHOLDER AND SIDES OF TANK.
- MAINTAIN ADEQUATE STRIKE (BARRIERS MAY BE USED IF AVAILABLE SPACING DOES NOT PROVIDE SUFFICIENT STRIKE CLEARANCE) FROM LIVE TUBE CAP AND TANK.



DRAWN BY: Bob Gilland	ECN 10/31/2003	APPROVAL	ECI	DWG NO. 2571K240P00
ISSUED BY: Nicholas Adams	8/26/2004			SH NUMBER OF SHS.
				TITLE: Submersible Dry Well Fuseholder
				FIRST MADE FOR:

4 | 3 | 2 | 1

REVISIONS	
1	Nicholas Adams Added outline 8/26/04
	PRINTS TO ECI-BTL

