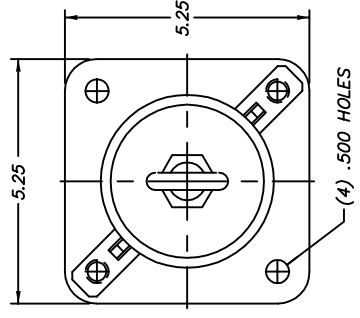
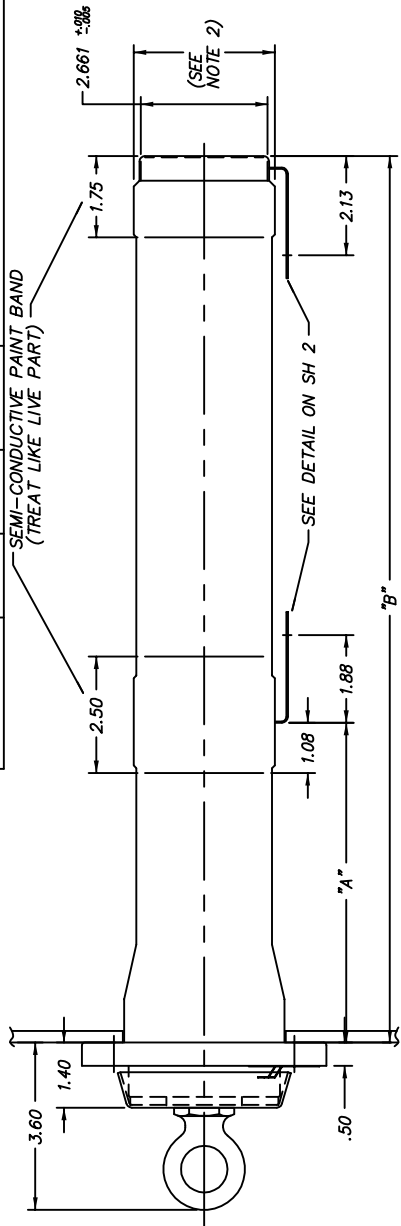


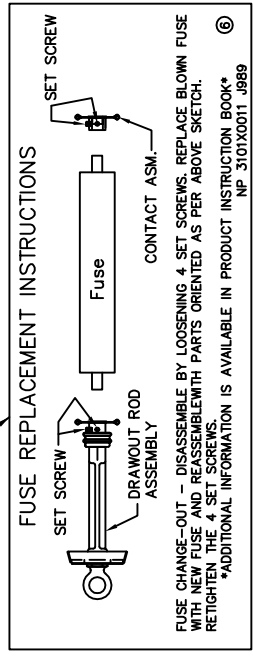
ERMCO COMPONENTS, INC.

UNLESS OTHERWISE SPECIFIED, TOLERANCES ARE
SURFACES 2 PL DEC ± 3 PL DEC ± ANGLES ± DEG

SEMI-CONDUCTIVE PAINT BAND
(TREAT LIKE LIVE PART)

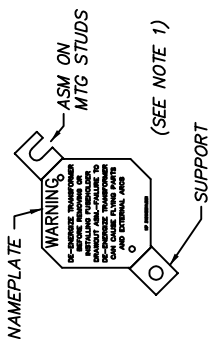


- NOTES:
- FOR THOSE APPLICATIONS WHERE AN INTERLOCKED LOADBREAK SWITCH IS NOT USED IN CONJUNCTION WITH THE NON-LOADBREAK FUSEHOLDER, A WARNING BAFFLE SHOULD BE USED AS A PRECAUTION AGAINST ENERGIZED OPERATION OF THE FUSEHOLDER. THE OPTIONAL WARNING BAFFLE ASSEMBLY SHOWN BELOW IS AVAILABLE FROM ERMCO COMPONENTS INC. (7559ZC2099).
 - MUST PASS THRU 3.50 DIA HOLE.



CATALOG NO.	CONTACT ASM	DRAWOUT ROD
7559ZC8399	7559ZB3999	7559ZC1199
7559ZC8399	7559ZB3999	7559ZE4299
7559ZC8499	7559ZB3999	7559ZC1199
7559ZC8499	7559ZB3999	7559ZE4299
7559ZC8599	7559ZB3999	7559ZC1299
7559ZC8599	7559ZB3999	7559ZC2699

ENGINEERING DATA		CATALOG NUMBER
FUSEHOLDER CAP		7559ZC8599
PLATED STEEL		7559ZC8499
STAINLESS STEEL		7559ZC8399
"A"	6.68	5.58
"B"	22.84	14.44
MAX VOLTAGE RATING	21.1KV	8.3KV
BIL	125KV	95KV
HIPOT	50KV	34KV
CORONA EXTINCTION	26KV	11KV
CONTINUOUS CURRENT RATING (UNFUSED)	160A	160A
MOMENTARY CURRENT RATING (UNFUSED)	10,000 A RMS SYM (10 CYCLES)	10,000 A RMS SYM (10 CYCLES)
ACCEPTABLE FUSES (GE SUREGUARD GP OR MCGRAW MX) (MUST BE ORDERED SEPERATELY)	2.3KV - ALL SIZES THRU 25A	2.8 & 4.3KV - ALL SIZES THRU 100A
	15.5KV - ALL SIZES THRU 40A	5.5KV - ALL SIZES THRU 75A
		8.3KV - ALL SIZES THRU 40A



REVISIONS

NO.	DATE	DESCRIPTION
0	JUL 28, 1987	REPLACED ADDED NEW CAT NOS
1	G.DAVIS MAR 08, 1988	
2	G.DAVIS JULY 30, 1991	CHG "A" DIM 6.68 WAS
3	L.MCLEAN 12/15/93	CHG TERM LGTH
4	D.KANUPP 3/9/94	ADD 2.661 DIM.
5	04-FEB-99	STULPIN UPDATED TEMPLATE
6	07-MAY-99	STULPIN UPDATED TEMPLATE
7	15-MAY-02	GILAND REMOVE ALL REF TO BE REPLACED WITH ERMCO
8	GILAND	UPDATED TEMPLATE
9	N.Adams FCN B220	Instructions Redrawn

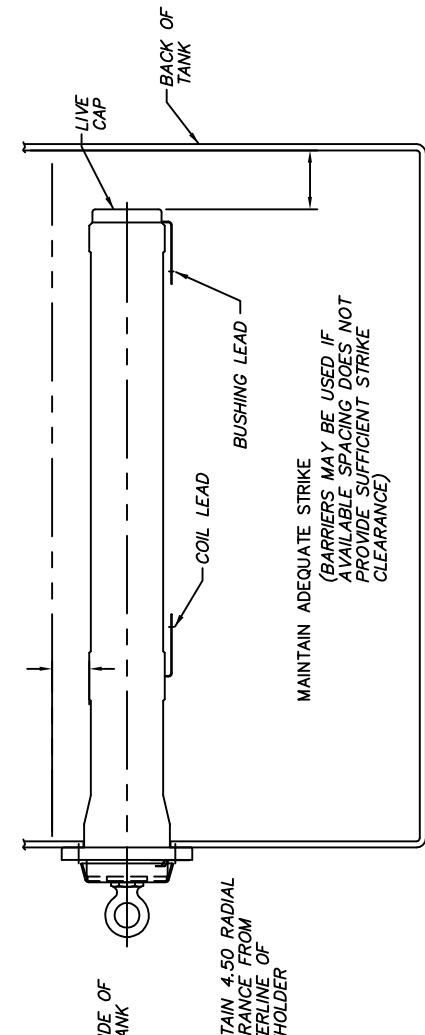
APPROVALS

MADE BY: G.DAVIS JUL.08.1987
ISSUED BY: Nicholas Adams 12/05/05

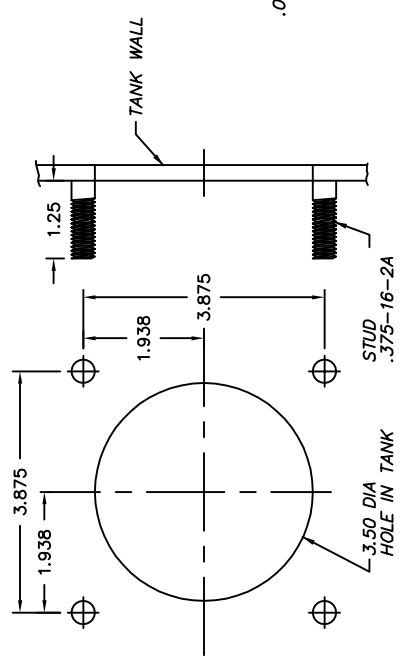
ECI

B2571K229
CONT ON SH 2 SH 1

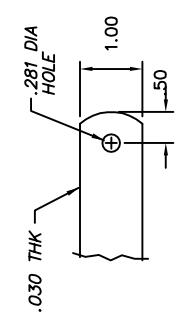
1.50 BELOW MIN OIL LEVEL



GENERAL FUSEHOLDER APPLICATION



FUSEHOLDER MOUNTING DIMENSIONS



DETAIL OF TERMINAL

MOUNTING FUSEHOLDER IN POCKET

- POCKETS UP TO 1.50 IN DEPTH CAN BE USED WITHOUT ADVERSELY AFFECTING IMPULSE WITHSTAND.
- IF APPLICATION REQUIRES POCKET DEPTH IN EXCESS OF 1.50, CARE SHOULD BE TAKEN TO AVOID ADVERSELY AFFECTING IMPULSE WITHSTAND.

REVISIONS		APPROVALS		PRINTS	
0	JUL 28, 1987				
1	G.DAVIS MAR.09,1988				
RETRACED					
2	STULPIN 04-FEB-99				
UPDATED TEMPLATE					
9	N. Adams 12/06/04				
Sh.1 Instructions redrawn					
MADE BY G.DAVIS JUL.08,1987		ECI		B2571K229	
ISSUED BY Nicholas Adams 12/05/05		CONT ON SH		SH 2	



B2571K189

CONT ON SH 2

SH 1

OUTLINE (DRY WELL FUSEHOLDER-DIELECTRIC PLUG)

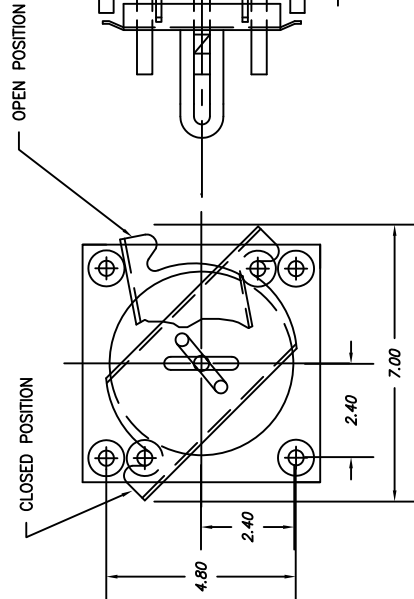
TITLE

FIRST MADE FOR

UNLESS OTHERWISE SPECIFIED, TOLERANCES ARE

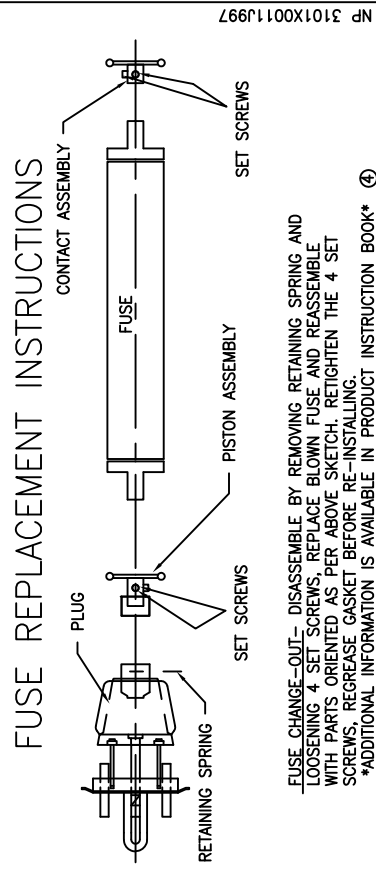
SURFACES 2 PL DEC ± 3 PL DEC ± ANGLES DEG ±

✓



CATALOG NO. 7559ZC2599
ASSEMBLY DWG NO. B2571K187G02

ENGINEERING DATA	
MAX VOLTAGE RATING	21.1 KV (LN/GND)
MAX VOLTAGE RATING	36.6 KV (LN/LN)
BIL	150 KV
HIPOUT	50 KV
CORONA EXTINGUISH	26 KV
CONTINUOUS CURRENT RATING (UNFUSED)	160A
MOMENTARY CURRENT RATING (UNFUSED)	10,000 A RMS SYM(10 CYCLES)
ACCEPTABLE FUSE (G.E. SUREGUARD GP OR McGRATHX)	23 KV ALL SIZES THRU 25A
(MUST BE ORDERED SEPARATELY)	



FUSE CHANGE-OUT- DISASSEMBLE BY REMOVING RETAINING SPRING AND LOOSENING 4 SET SCREWS. REPLACE BLOWN FUSE AND REASSEMBLE WITH PARTS ORIENTED AS PER ABOVE SKETCH. RETIGHTEN THE 4 SET SCREWS, REGREASE GASKET BEFORE RE-INSTALLING.
ADDITIONAL INFORMATION IS AVAILABLE IN PRODUCT INSTRUCTION BOOK ④

NOTE:

1. MOUNTING HOLE #4.60.
2. FOR THOSE APPLICATIONS WHERE AN INTERLOCK LOADBREAK SWITCH IS NOT USED IN CONJUNCTION WITH THE NON-LOADBREAK FUSEHOLDER, A WARNING BAFFLE SHOULD BE USED AS A PRECAUTION AGAINST ENERGISED OPERATION OF THE FUSEHOLDER. THE OPTIONAL WARNING BAFFLE SHOWN AT RIGHT IS AVAILABLE FROM GENERAL ELECTRIC COMPANY (7559ZC2199)
3. SILICON GREASE SHOULD BE APPLIED TO THE DRAWROD ASSEMBLY GASKET BEFORE INSTALLING IN DRYWELL TUBE.

REPLACEMENT PARTS	CAT NO
PLUG & CHANNEL ASM. (W/GASKET)	7559ZB399
GASKET ONLY	7559ZB5499
PISTON ASM (W/ SPIRAL & RETAINING SPRINGS)	7559ZB5699
CONTACT ASM	7539ZB3999

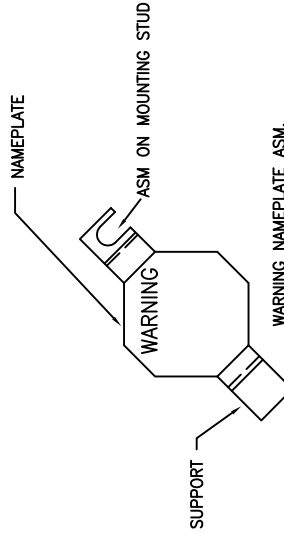


FIGURE 02

REVISIONS		APPROVALS	
1	SA. WILSON 23 OCT 95	5	Crumley 6/1/04
2	STULPIN 04-FEB-99	6	N. Adams 3/18/09
3	GILAND 07-OCT-02	Add note 3. Chg sh 2 & 3 to sh. 1 & 2 ECN # B465	
4	GILAND 28-OCT-02	Correct Assembly NO. ECN # B142	
5	GILAND 07-OCT-02	UPDATED TEMPLATE	
6	GILAND 28-OCT-02	UPDATED TEMPLATE	

MADE BY: B.FRYE 3/9/78

REISSUED BY: Nicholas Adams 3/18/09

ERMCO

CONT ON SH 2

B2571K189

SH 1



ERMCO COMPONENTS, INC.

UNLESS OTHERWISE SPECIFIED, TOLERANCES ARE

SURFACES 2 PL DEC ± SURFACES 3 PL DEC ± ANGLES 3 PL DEC ± DEG

FIRST MADE FOR

B2571K189
CONT ON SH SH 2

OUTLINE (DRY WELL FUSEHOLDER-DIELECTRIC PLUG)

SEE NOTE 2

1.50 BELOW MIN OIL LEVEL

LIVE CAP

BACK OF TANK

BUSHING LEAD

COIL LEAD

NOTE 3

STUD .375-16-2A

4.60 HOLE IN TANK

4.80

2.40

1.50

2.40

4.80

0.50

1.00

0.281 HOLE

FUSE HOLDER MOUNTING DIMENSIONS

GENERAL FUSE HOLDER APPLICATION

REVISIONS

2 RETR. ON CAD

3 S. A. WILSON 19 OCT. 98

6 N. Adams 3/18/09

ADD SHEET 3

Add note 3, Chg sh 2 & 3 to sh. 1 & 2 ECN # B465

APPROVALS

ERMCO

B2571K189

CONT ON SH SH 2

- NOTE:
1. IF APPLICATION REQUIRES MOUNTING FUSE HOLDER IN A POCKET, CARE SHOULD BE TAKEN TO AVOID ADVERSELY AFFECTING IMPULSE WITHSTAND.
 2. MAINTAIN 4.50 RADIAL CLEARANCE FROM CENTER LINE OF FUSE HOLDER TO SIDE OF TANK OR OTHER GROUND PLANE.
 3. WITH FUSE HOLDER FULLY ASSEMBLED CHECK FOR APPROX. .10 INCHES CLEARANCE BETWEEN LOCKNUT AND CHANNEL. TO ADJUST, TIGHTEN, OR LOOSEN TWO LOCKNUTS OF FLANGE STUDS.