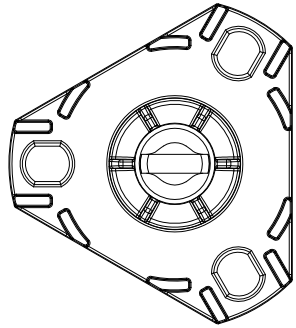
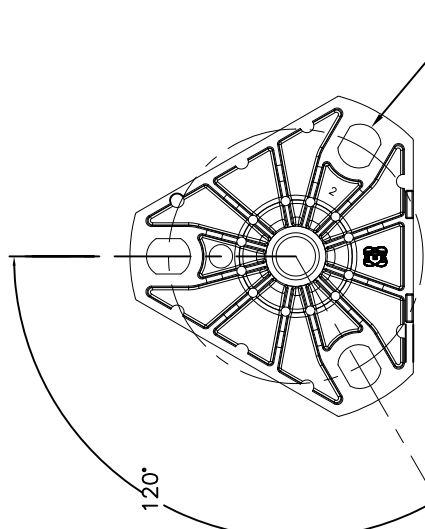
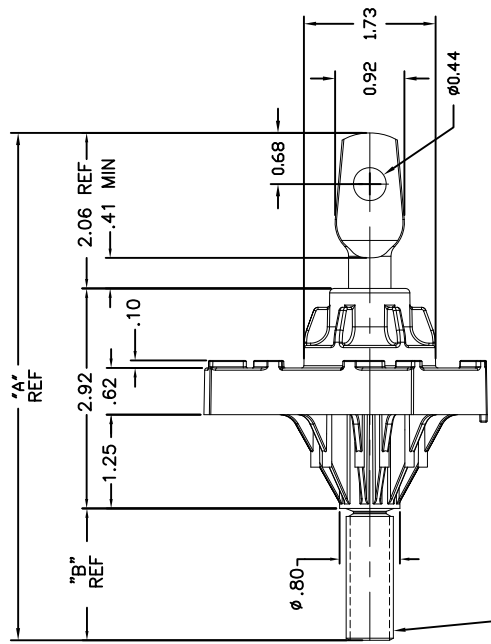


UNLESS OTHERWISE SPECIFIED, TOLERANCES ARE	
SURFACES	±
2 PL DEC	±
3 PL DEC	±
ANGLES	±
	DEG
✓	



5/8-11-UNC-2A THREADED STUD

MODEL NUMBER	DESCRIPTION	"A"	"B"
9U10BAA002	w/gasket and nut (200/barrel)	6.73	1.75
9U10BAA003	w/gasket (50/box)	6.73	1.75
9U10BAA004	w/gasket and nut (50/box)	6.73	1.75
9U10BAA005	w/gasket and nut	7.24	2.19
2A956001P11	gasket		
N211P33	5/8-11 brass nut		

Dimensions in inches

REV	DATE	DESCRIPTION	BY	CHKD	APPROVAL
1	26-MAR-01	ADDED TABLE	N. Adams		
2	4/19/06	Added 9U10BAA004 to list	N. Adams		
3	4/20/06	Removed 9U10BAA002	N. Adams		
4	12/07/07	ECN F996	N. Adams		
		Add 9U10BAA002 & 003			
		ECN B377			