

ERMCO THREE PHASE PAD MOUNT TRANSFORMERS

Approximate Weights and Dimensions
(Consult with factory for specific information)

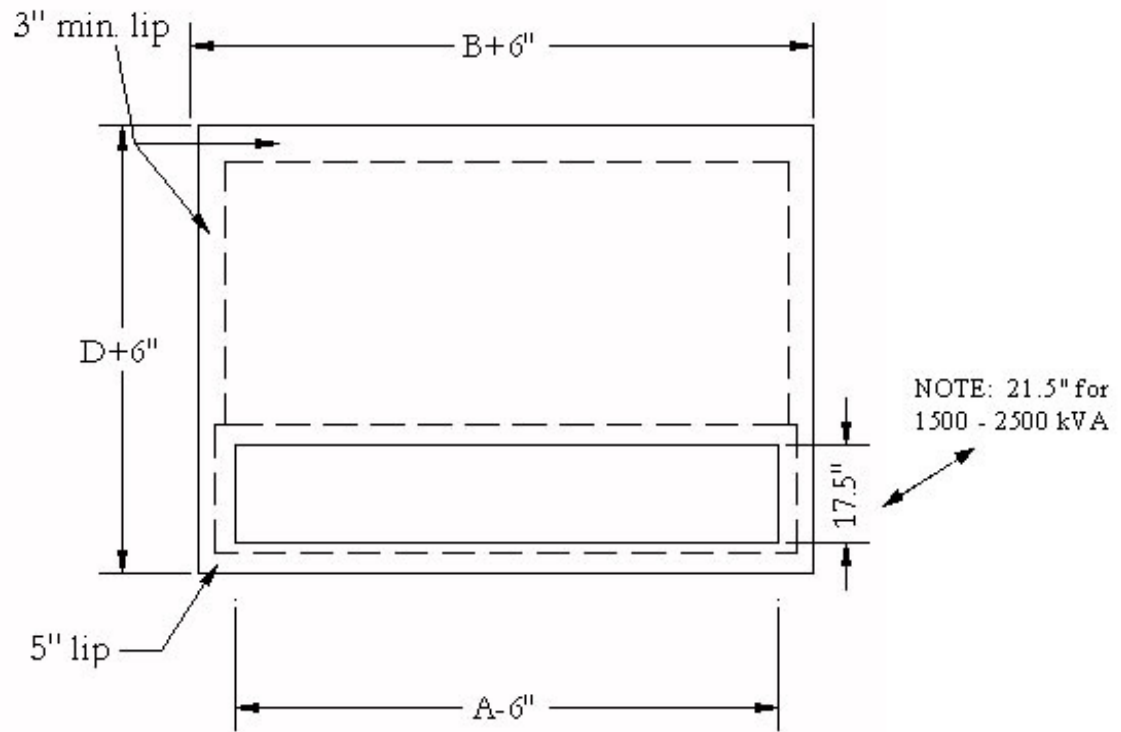
Radial Feed Dead Front (ANSI C57.12.26 Fig: 1, 3 and 4)

KVA	A	B	C	D	E	Wt (lbs)	Oil (gal)
45	55	55	39	39	49	2200	110
75	55	55	39	39	49	2300	110
112.5	55	55	42	42	49	2400	110
150	55	55	42	42	49	2700	120
225	55	55	42	42	49	3400	150
300	55	55	42	52	49	3700	160
500	55	63	46	56	49	5500	190
750	60	63	46	56	63	6800	290
1000	60	63	46	56	63	8000	315
1500	63	80	46	56	63	9200	360
1750	70	98	60	86	68	15,000	650
2000	70	98	60	86	68	15,000	650
2500	70	98	60	86	68	15,000	650

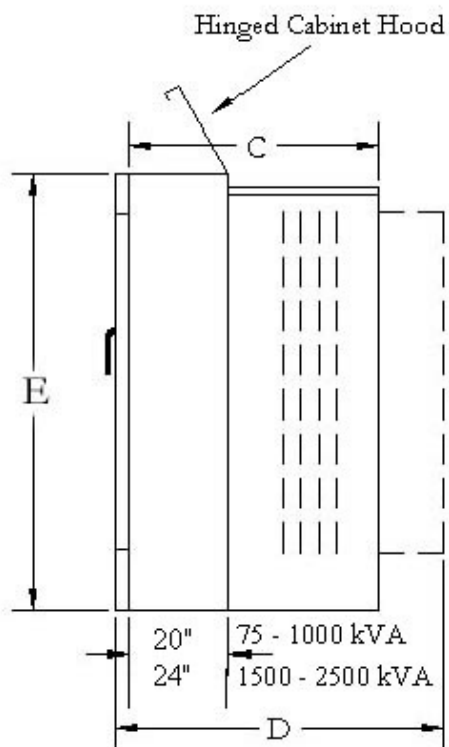
Loop Feed Dead Front (ANSI C57.12.26 Fig: 2, 3, and 4)

KVA	A	B	C	D	E	Wt (lbs)	Oil (gal)
45	55	55	39	39	49	2200	110
75	55	55	39	39	49	2300	110
112.5	55	55	42	42	49	2400	110
150	55	55	42	42	49	2700	120
225	55	55	42	42	49	3400	150
300	55	55	42	52	49	3700	160
500	55	63	46	56	49	5500	190
750	60	63	46	56	63	6800	290
1000	60	63	46	56	63	8000	315
1500	63	80	46	56	63	9200	360
1750	70	98	60	86	68	15,000	650
2000	70	98	60	86	68	15,000	650
2500	70	98	60	86	68	15,000	650

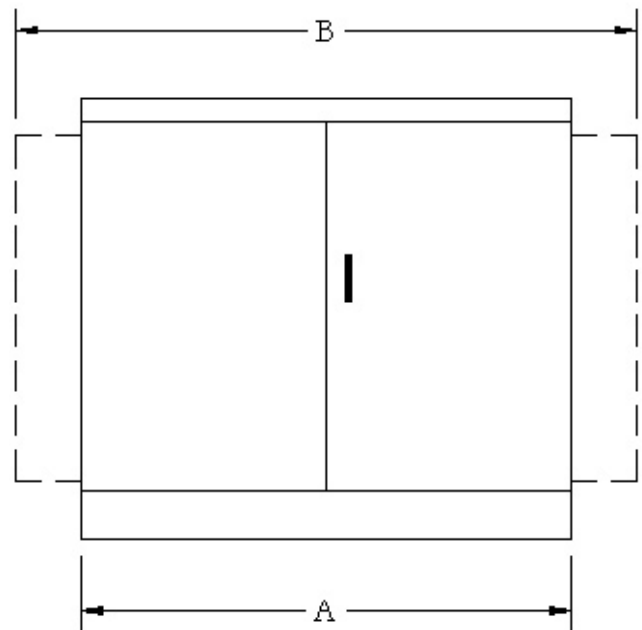
Three Phase Pad Mount Distribution Transformer Drawings



Installation Pad



Side View



Front View